

LT-LE
LEG EXTENSION CIRCUIT

GK14-00001-XXXX
SN # 1000-15272

Display Board(R)
 AK14-00261-0000

Face Plate (For 12-pin
 connector - shroud
 mounted - short ribbon
 length)
 AK14-00259-0000

Face Plate (For 14-pin
 connector - shroud
 mounted - long ribbon
 length)
 AK14-00291-0001

Instruction Decal
 OK14-01760-0001 Eng
 OK14-01760-0002 Ger
 OK14-01760-0004 Spn
 OK14-01760-0003 Jap

Seat Post Assembly
 AK14-00060-0000

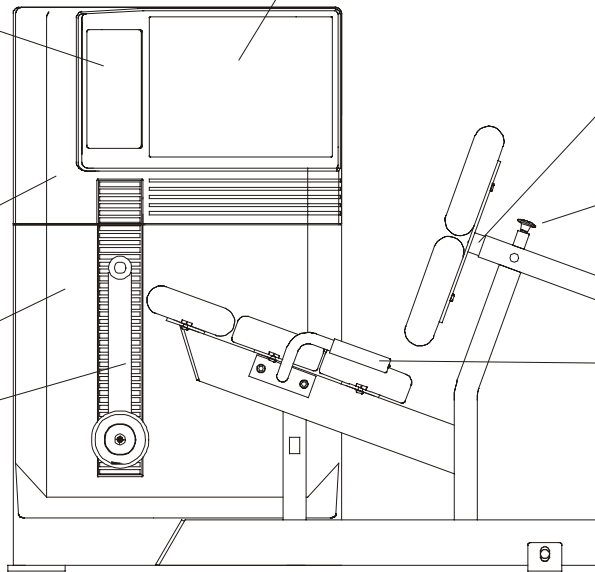
Knob
 OK14-01150-0000
 Seat Pin Assembly
 AK18-00031-0001

Upper Front Housing
 GK14-00002-0067

Lower Front Housing
 AK14-00038-0000

User Arm
 GK14-00002-0003

Hand Grips(2)
 OK14-01124-0000
 Handle(RT)
 AK14-00031-0000
 Handle(LT)
 AK14-00032-0000



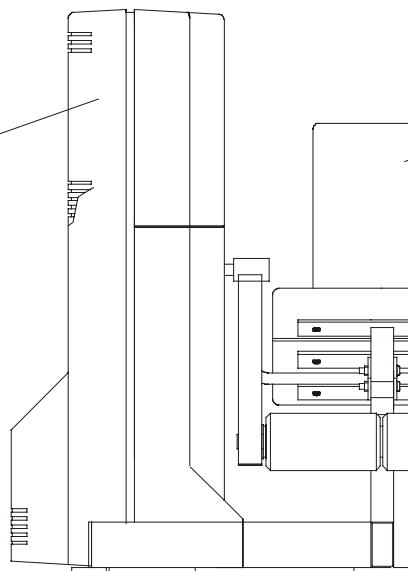
Rear Housing
 GK14-00002-0044

Back Pads(2)
 OK14-01571-0001

Upper Seat Pad
 OK14-01098-0001(2)

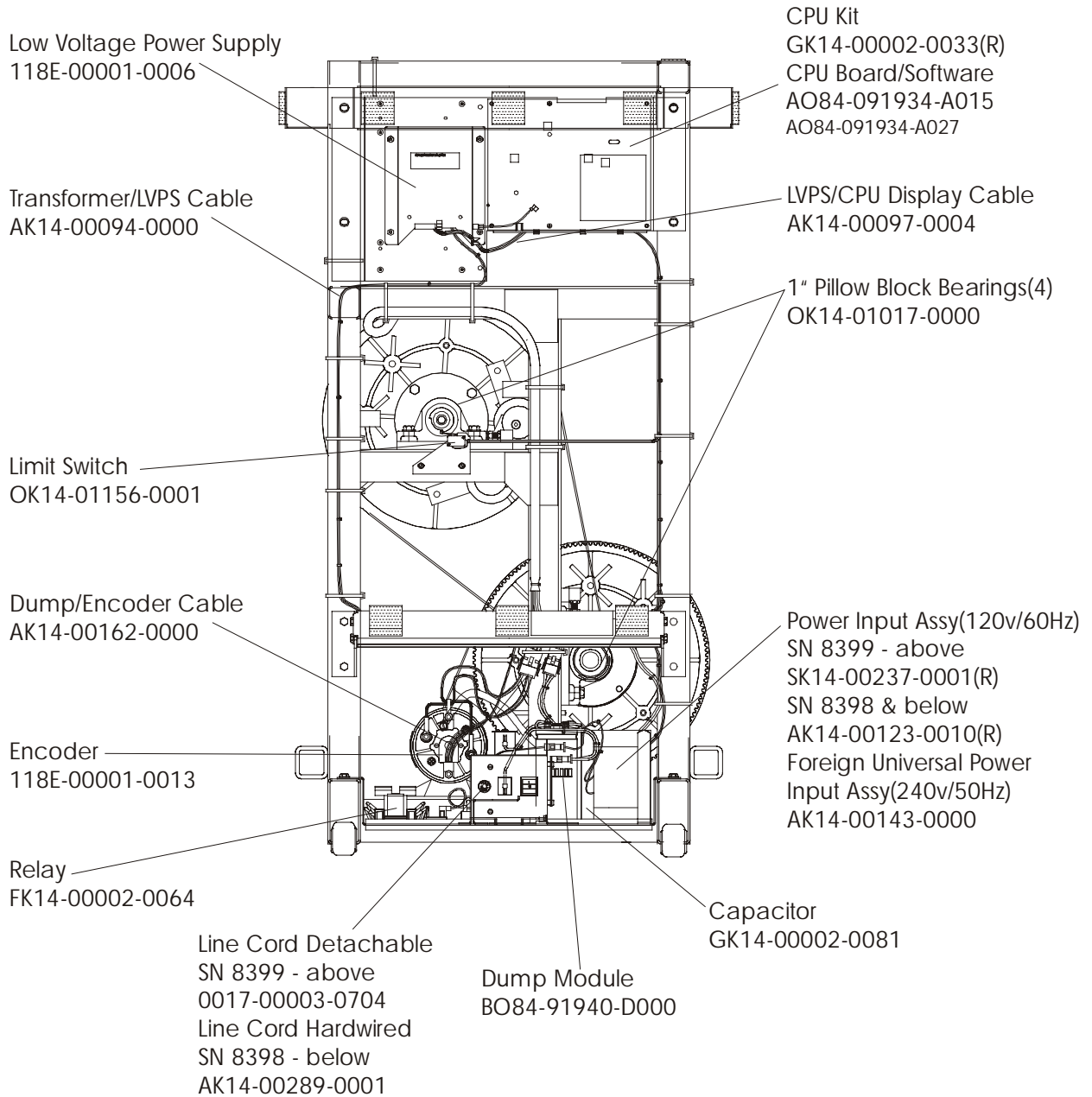
Lower Seat Pad
 OK14-01290-0001(1)

Roller Pads(2)
 OK14-01102-0001



LT-LE
LEG EXTENSION CIRCUIT

GK14-00001-XXXX
SN # 1000-15272



LT-LE
LEG EXTENSION CIRCUIT

GK14-00001-XXXX
SN # 1000-15272

